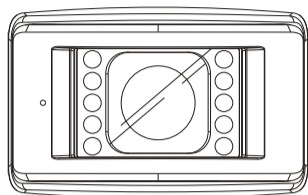


Voyager®

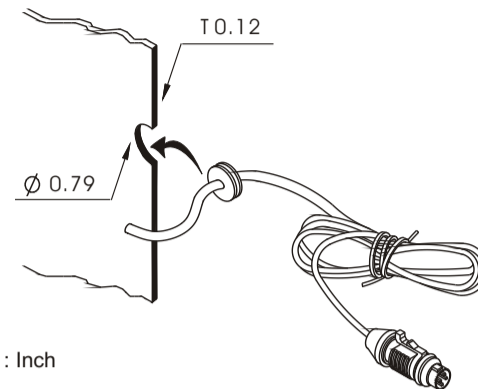
NTSC SYSTEM VCCS150B



VCCS150B Features:

- High Resolution, 1/3" CCD Color Camera
- Compact / Lightweight Aluminum Die Cast Body
- Waterproof Design
- Microphone
- Normal / Mirror Image switch
- Adjustable Mounting Angle
- Wide Angle Lens
- Aluminum Bracket and SS. Hardware included
- IR LED Low Light Enhancement

Recommended grommet Hole & Mtg. thickness

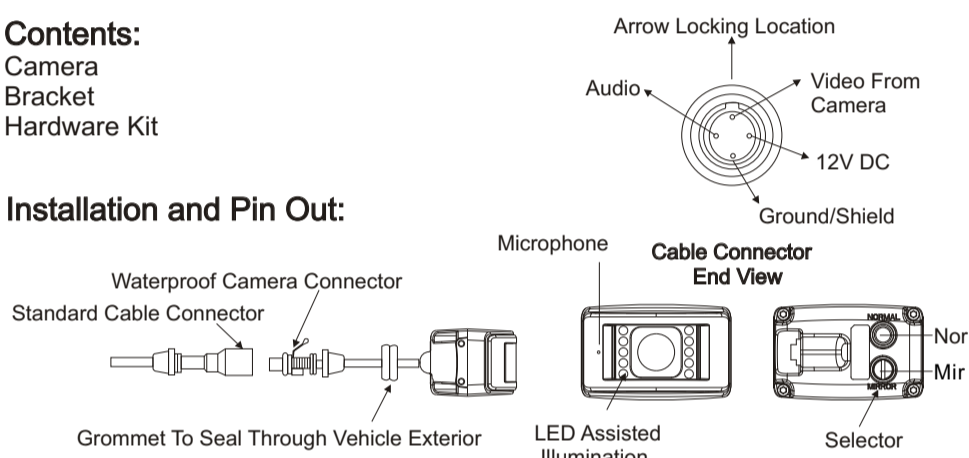


Unit : Inch

Contents:

- Camera
- Bracket
- Hardware Kit

Installation and Pin Out:



Camera to bracket hardware

Specifications	Qty
 Hex Socket Head M4X10L Stainless screws	4
 Allen wrench	1

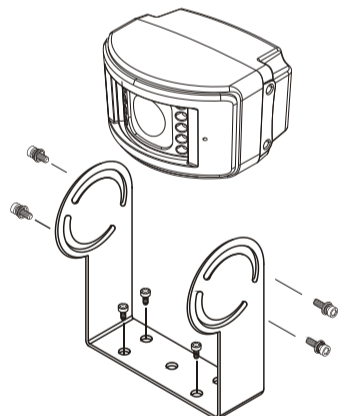
Bracket to vehicle hardware

Specifications	Qty
 Tapping P/H W/Washer 5X16mm Stainless screws	4
 Machine Screw T/H M5X16mm Stainless	4
 Locking nuts M5 stainless	4

Installation

Screw For Use

- Hex Socket Head M4X10L Stainless screws
- Spring Washers 4X7X1.2mm Stainless
- Flat Washers 4x10x.5mm Stainless
- Allen wrench
- Tapping P/H W/Washer 5X16mm Stainless screws
- Machine Screw T/H M5X16mm Stainless
- Locking nuts M5 stainless

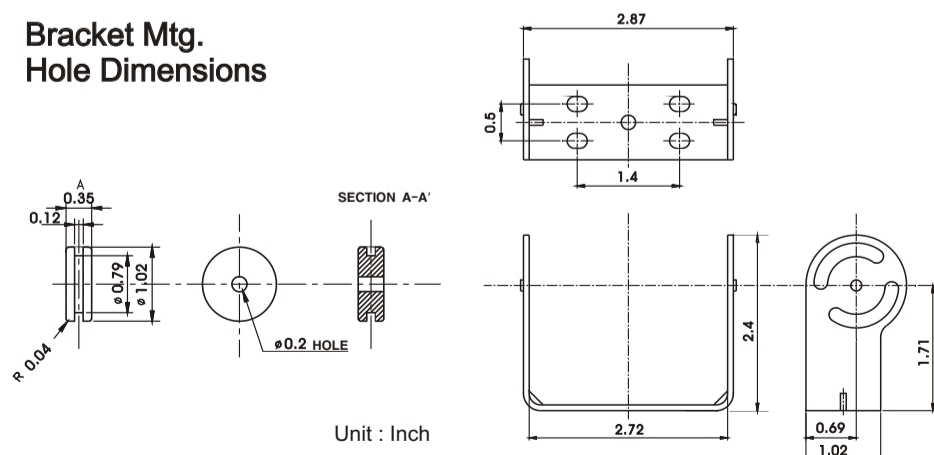


Specifications

- Signal System : NTSC
- Image Sensor : 1/3" Color CCD W/electronic auto-iris
270K pixels
- Viewing Angle : 120°(H), 90°(V)
- Outer Dimensions : 68.8 (W) X 44 (H) X 56.6 (D) mm
2.7 (W) X 1.73 (H) X 2.2 (D) Inch
- Weight : Approx. 0.24kg / 0.53lbs

* Specifications are subject to change without notice.

Bracket Mtg. Hole Dimensions



Unit : Inch